

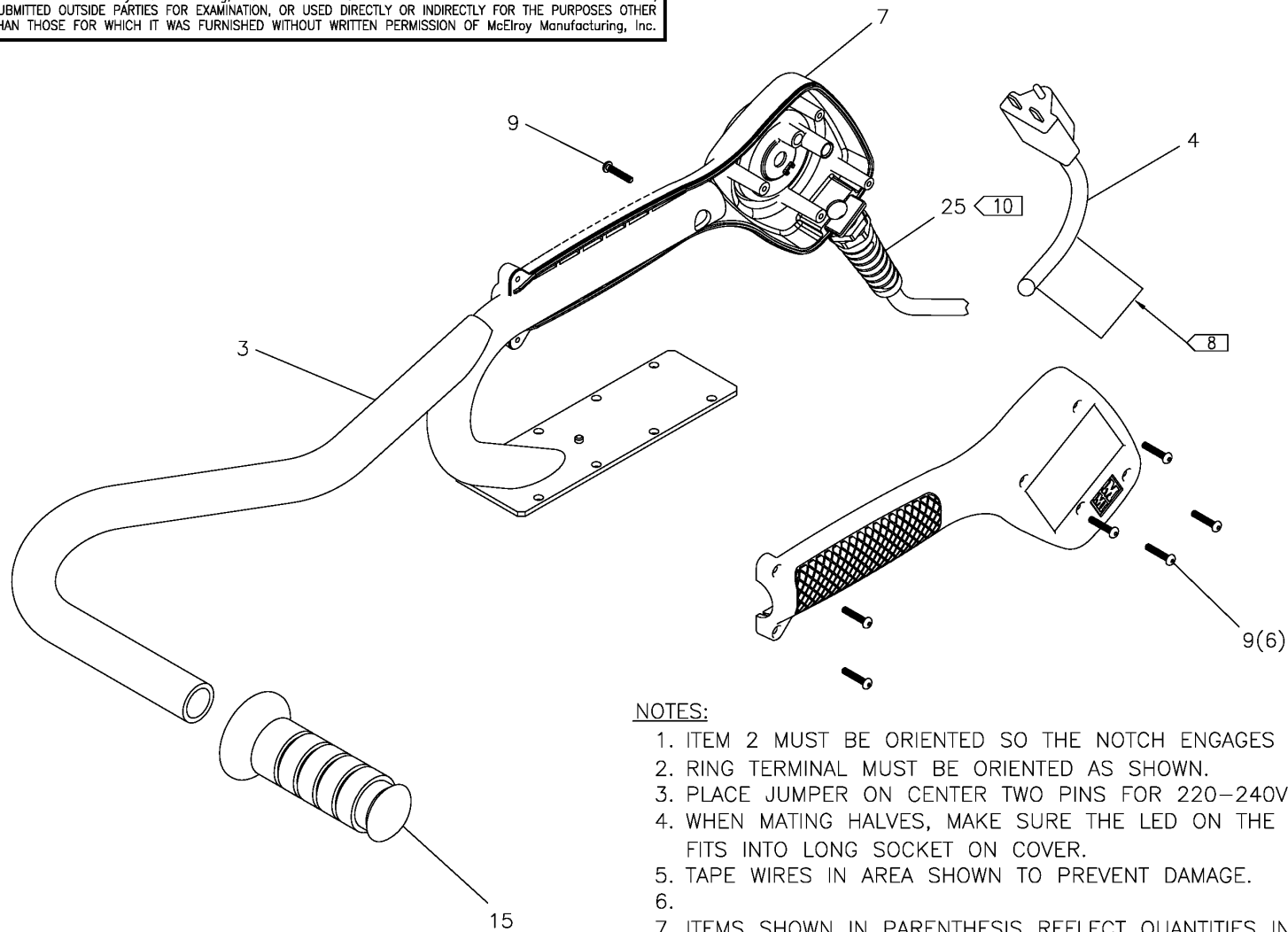


McElroy Manufacturing, Inc.
The leader by design.
Tulsa, Oklahoma U.S.A.

DRAWN: BWW	CHECK: TMT	APPRV'D: SWB	DATE: 06/14/02	DWG No: 1862600	SHT No: 1A	REV No: J	PART No: 1862601
------------	------------	--------------	----------------	-----------------	------------	-----------	------------------

8" - 18" 220-240V, 50/60Hz, 1Ph HEATER HANDLE/CONTROLLER ASSEMBLY						CAD No: 1862601
---	--	--	--	--	--	-----------------

NOTE: THIS DRAWING AND THE INFORMATION CONTAINED THEREIN IS THE CONFIDENTIAL AND PROPRIETARY PROPERTY OF McElroy Manufacturing, Inc. THE DRAWING IS NOT TO BE REPRODUCED IN ANY MANNER, SUBMITTED OUTSIDE PARTIES FOR EXAMINATION, OR USED DIRECTLY OR INDIRECTLY FOR THE PURPOSES OTHER THAN THOSE FOR WHICH IT WAS FURNISHED WITHOUT WRITTEN PERMISSION OF McElroy Manufacturing, Inc.



NOTES:

1. ITEM 2 MUST BE ORIENTED SO THE NOTCH ENGAGES THE KEY ON ITEM 7.
2. RING TERMINAL MUST BE ORIENTED AS SHOWN.
3. PLACE JUMPER ON CENTER TWO PINS FOR 220-240V OPERATION.
4. WHEN MATING HALVES, MAKE SURE THE LED ON THE PC BOARD FITS INTO LONG SOCKET ON COVER.
5. TAPE WIRES IN AREA SHOWN TO PREVENT DAMAGE.
- 6.
7. ITEMS SHOWN IN PARENTHESIS REFLECT QUANTITIES IN A LOCAL GROUP AND MAY NOT INDICATE TOTAL ASSEMBLY QUANTITIES.
8. FOR REPLACEMENT LABEL ONLY ORDER 410906.
9. THESE ITEMS MAY NOT BE NECESSARY IF THE HEATER ELEMENTS LEADS ARE OF SUFFICIENT LENGTH.
10. TORQUE TO 42 IN-LBS.

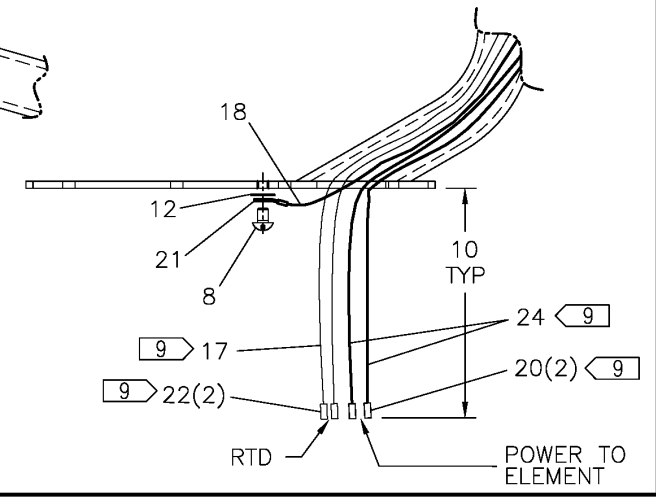
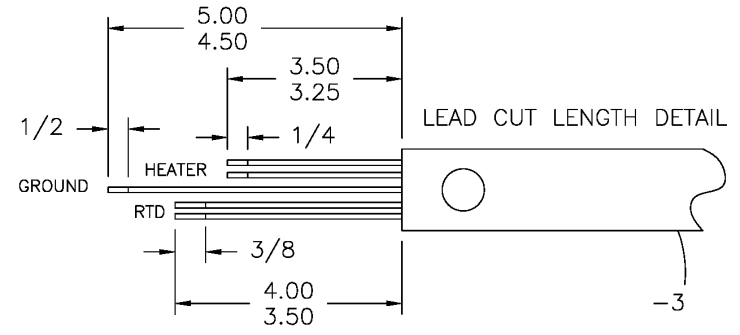
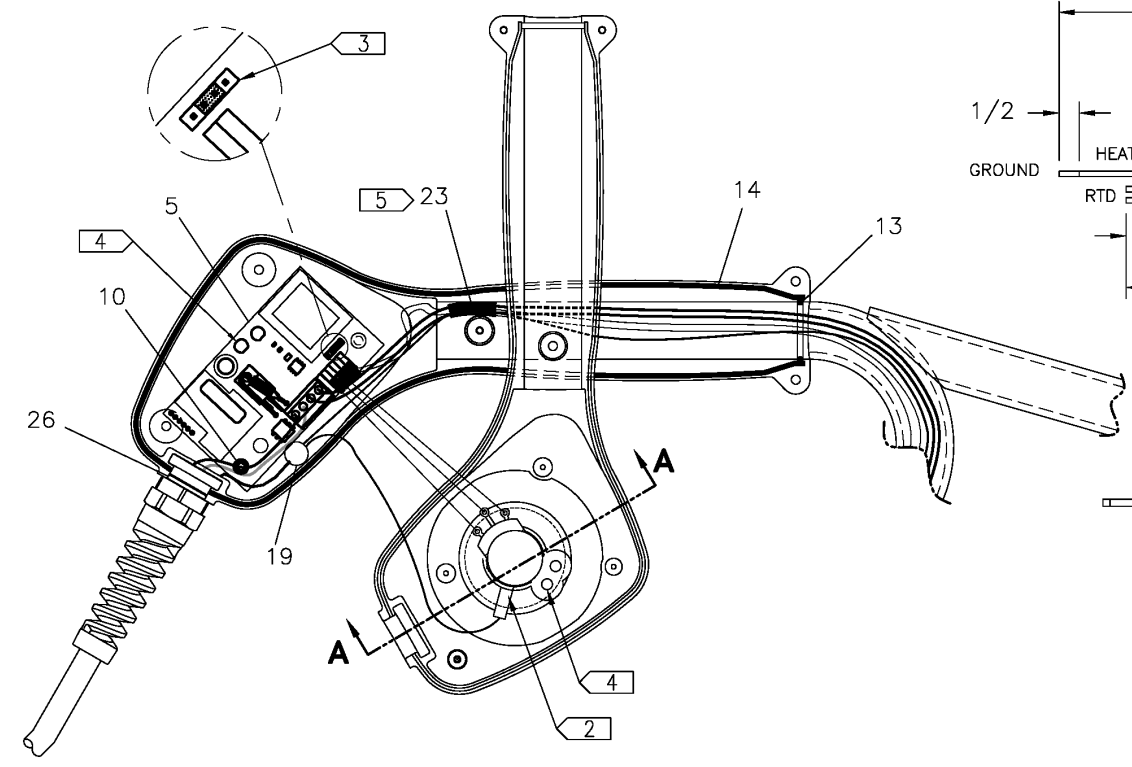
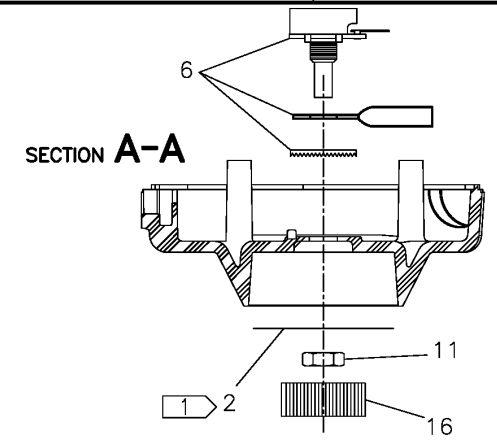
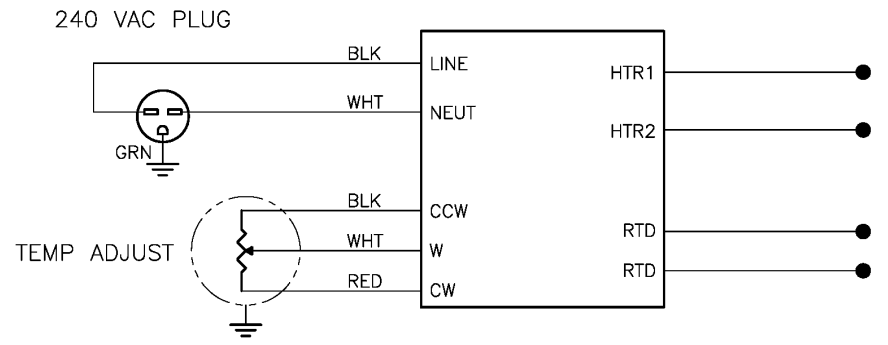


McElroy Manufacturing, Inc.
The leader by design.
Tulsa, Oklahoma U.S.A.

DRAWN: BWW CHECK: TMT APPRV'D: SWB DATE: 06/14/02 DWG No: 1862600 SHT No: 1B REV No: J PART No: 1862601

8"-18" 220-240V,50/60Hz,1Ph HEATER HANDLE/CONTROLLER ASSEMBLY CAD No: 1862601

NOTE: THIS DRAWING AND THE INFORMATION CONTAINED THEREIN IS THE CONFIDENTIAL AND PROPRIETARY PROPERTY OF McElroy Manufacturing, Inc. THE DRAWING IS NOT TO BE REPRODUCED IN ANY MANNER, SUBMITTED OUTSIDE PARTIES FOR EXAMINATION, OR USED DIRECTLY OR INDIRECTLY FOR THE PURPOSES OTHER THAN THOSE FOR WHICH IT WAS FURNISHED WITHOUT WRITTEN PERMISSION OF McElroy Manufacturing, Inc.



McElroy Manufacturing Parts List

Part Number: 1862601 8-18 220-240V Heater Handle/Controller Assembly ((See A1862601 for replacement kit including instruction sheet & hardware))



8-18 240v htr hdl/ctrlr assy

Part Number 1862601 Component List

Item	Component	Description	Quantity	Unit	Price
1	410906	Dng Not Expln Proof Tag Label (Effective 7/15/02 to 12/1/09)	1.0	EA	1.42
2	816382	Temperature Scale Label	1.0	EA	6.00
3	838007	Heater Handle Wld	1.0	EA	162.00
4	1854801	Replaced by A1854802 (Effective 7/15/02 to 8/23/17)	1.0	EA	0.00
4	1854802	15A,250V Power Cord Assy w/ Nema 6-15 Plug	1.0	EA	55.00
5	T5030001	Heater Control Pcb Assy	1.0	EA	124.00
6	T5030002	Potentiometer Assy	1.0	EA	11.91
7	T5030103	Heater Handle/enclosure	1.0	EA	19.78
8	MAH00030	#10-24NCX1/4LG RhsmS SS	1.0	EA	0.29
9	MAL00010	#6-19X3/4LG Torx T15 Pan Hdscr	7.0	EA	0.49
10	MAL00011	#6-19X1/4LG Torx T15 Pan Hdscr	1.0	EA	0.63
11	MBA00067	3/8-32NEF X 0.22 X 1/4 Sealnut	1.0	EA	3.45
12	MBG00072	#10 Int Tooth Lock Washer	1.0	EA	0.29
13	MDL00018	O-ring	1.0	EA	0.56
14	MDL00243	.070DIA Buna-n O-ring Stock	2.167	FT	0.94
15	MJJ00009	1" Black Gloss Hand Grip	1.0	EA	3.04
16	MJJ00023	Control Knob	1.0	EA	4.12
17	MLL00116	#22 Type Tggt Elec Wire	5.0	FT	2.40
18	MLL00215	#14 Type Tggt Wire, Green/yel	2.0	FT	2.07
19	MLM00010	2/12-4/18 Closed End Splice	1.0	EA	0.98
20	MLM00012	14-16 Hi-temp Butt Splice	2.0	EA	0.95
21	MLM00013	14-16 X #10 Hi-temp Ring Term	1.0	EA	1.07
22	MLM00040	18-22 Hi-temp Butt Splice	2.0	EA	1.00
23	MLN00219	Fiberglass Tape (per Ft)	0.333	FT	0.44
24	MLL00020	#14 Type Tggt Wire	5.0	FT	1.94
25	434302	Power Cord Strain Relief	1.0	EA	12.08
26	MDL00248	O-ring	1.0	EA	0.68

Please visit <https://fusion.mcelroy.com/parts> to purchase parts or for more information.